

# MATADOR AND MATADOR 2

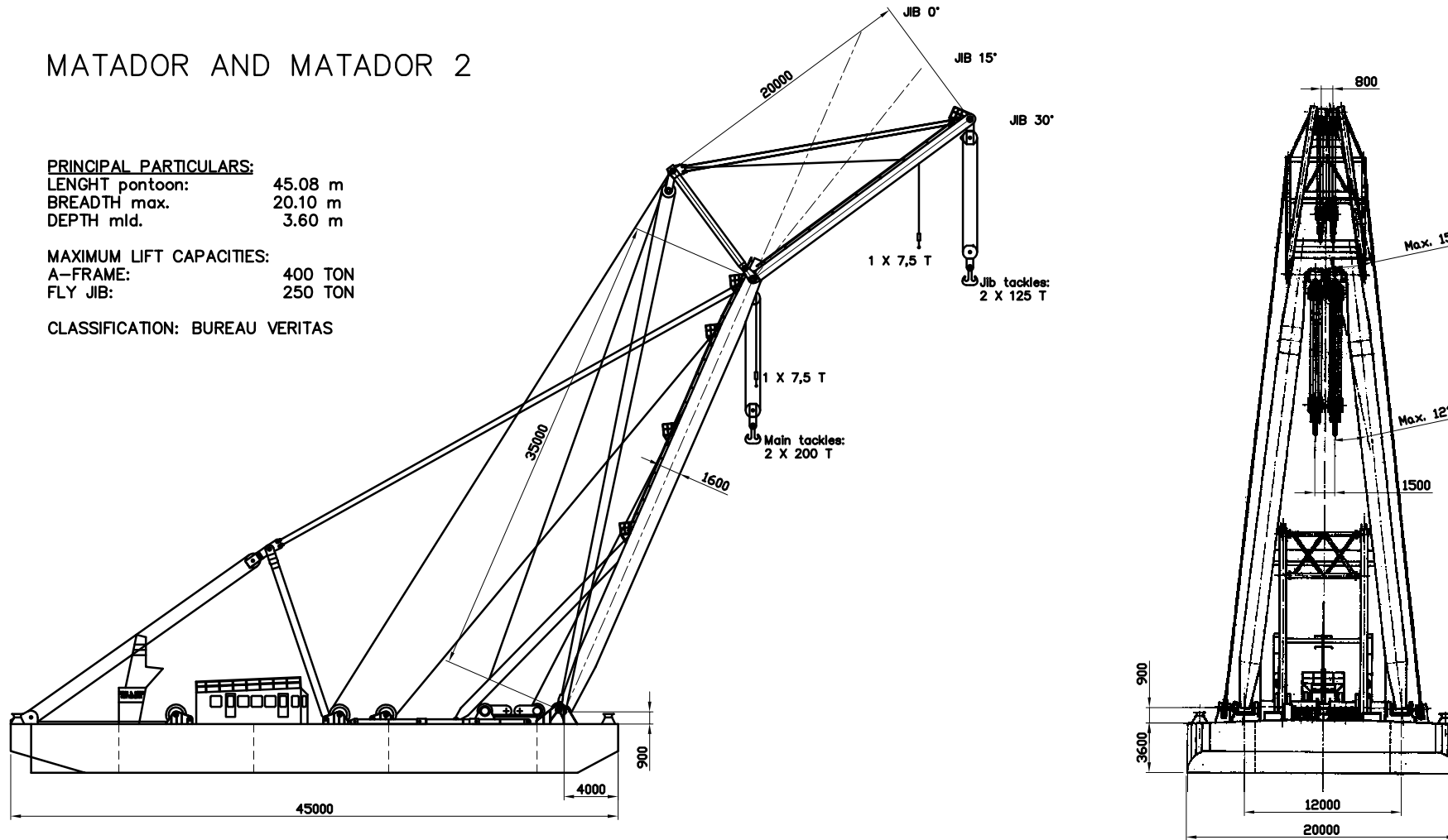
**PRINCIPAL PARTICULARS:**

LENGHT pontoon: 45.08 m  
 BREADTH max. 20.10 m  
 DEPTH mld. 3.60 m

**MAXIMUM LIFT CAPACITIES:**

A-FRAME: 400 TON  
 FLY JIB: 250 TON

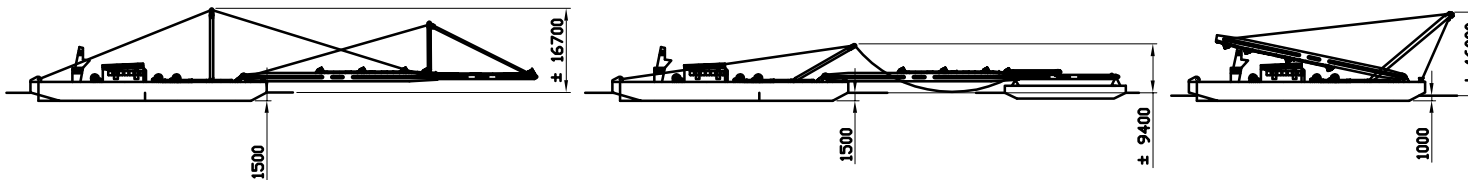
CLASSIFICATION: BUREAU VERITAS



0° position

A-Frame & Jib on pontoon  
 (min. height)

Sea going position



<b>BONN &amp; MEES DRIJVENDE BOKKEN B.V.</b>	
telefoon:010-4290544, Fax:010-4294270, Email: info@bonn-meess.com	
SUBJECT:	
SCALE:	DRAWN: G.M. OTTEN
DATE:	DRAWING NR.:
REVISION DATE:	MOD. BY: